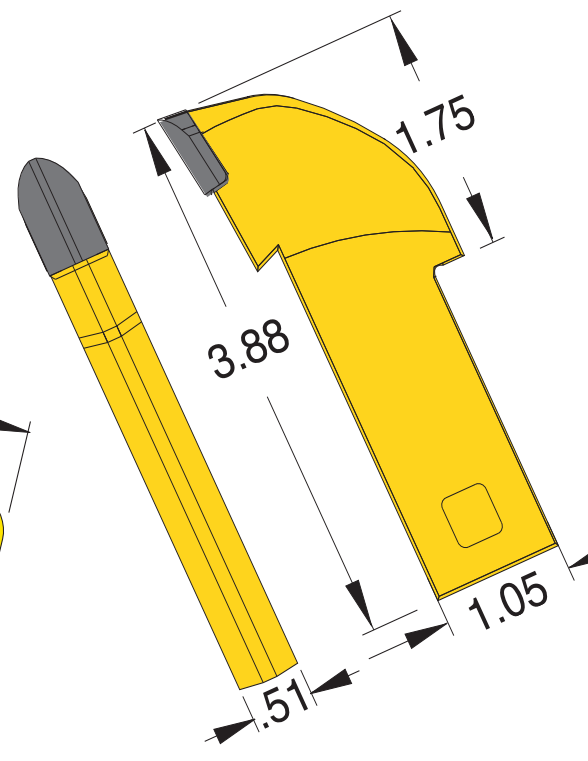
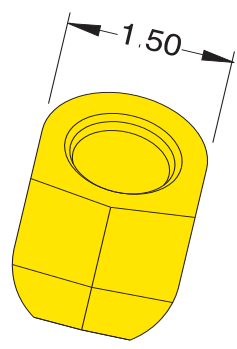
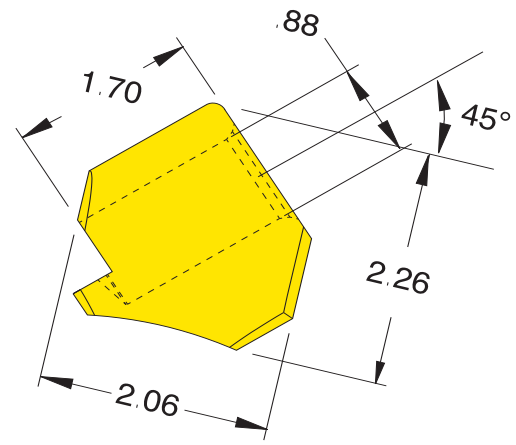
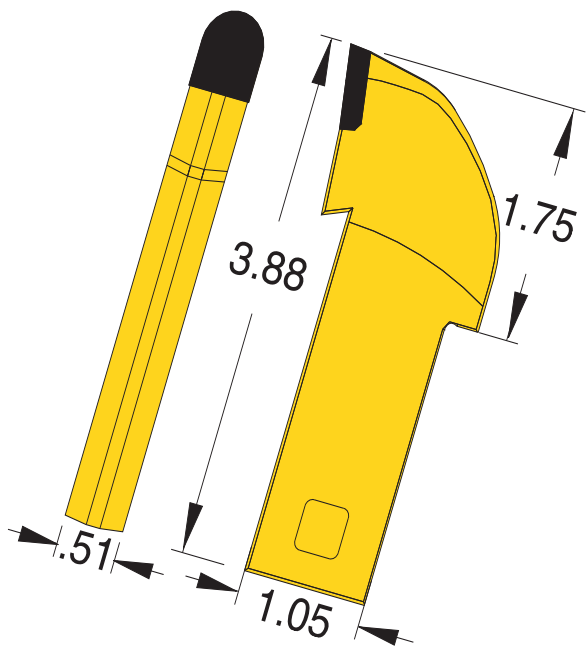
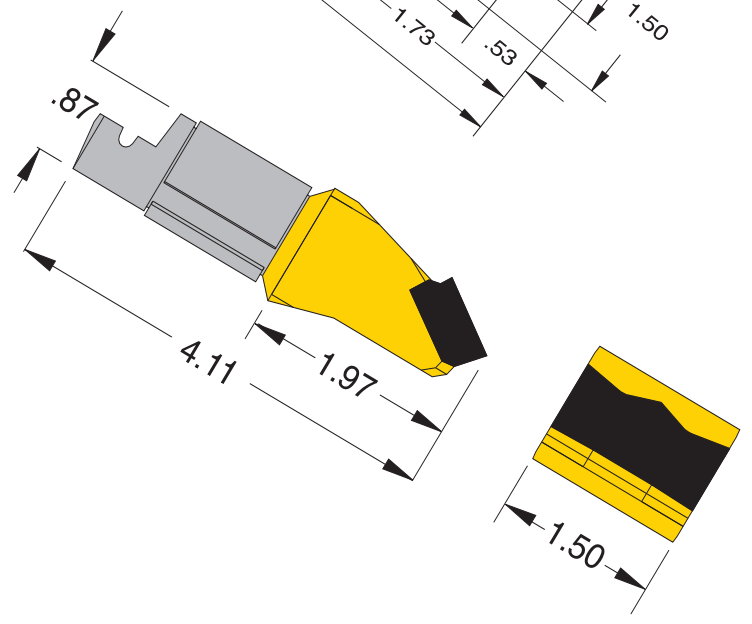
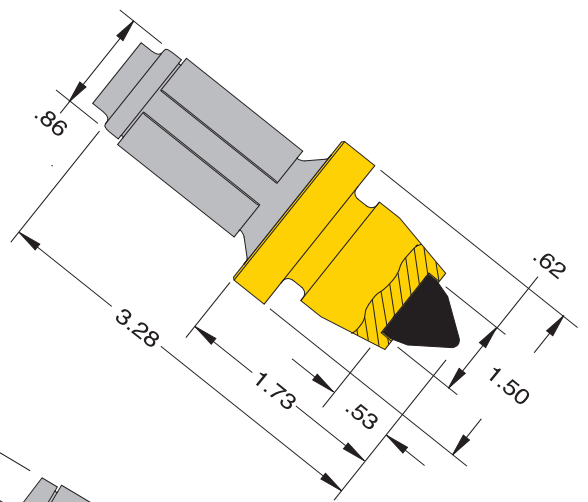
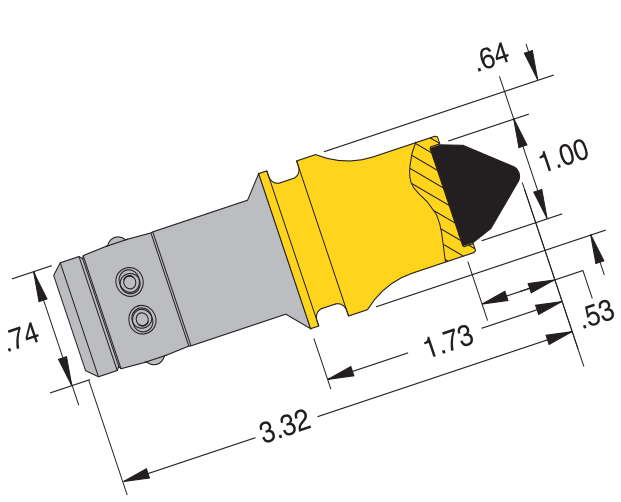
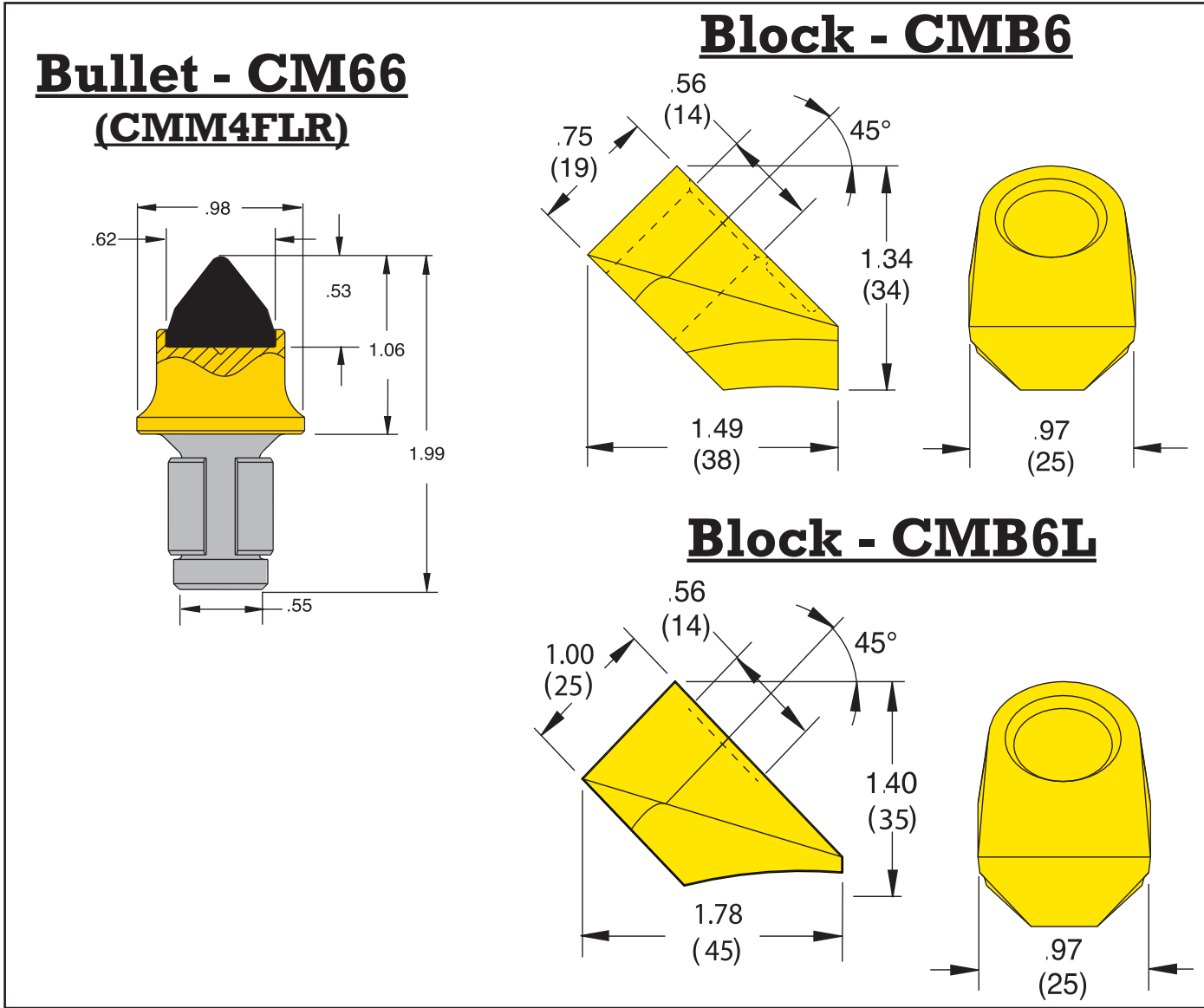
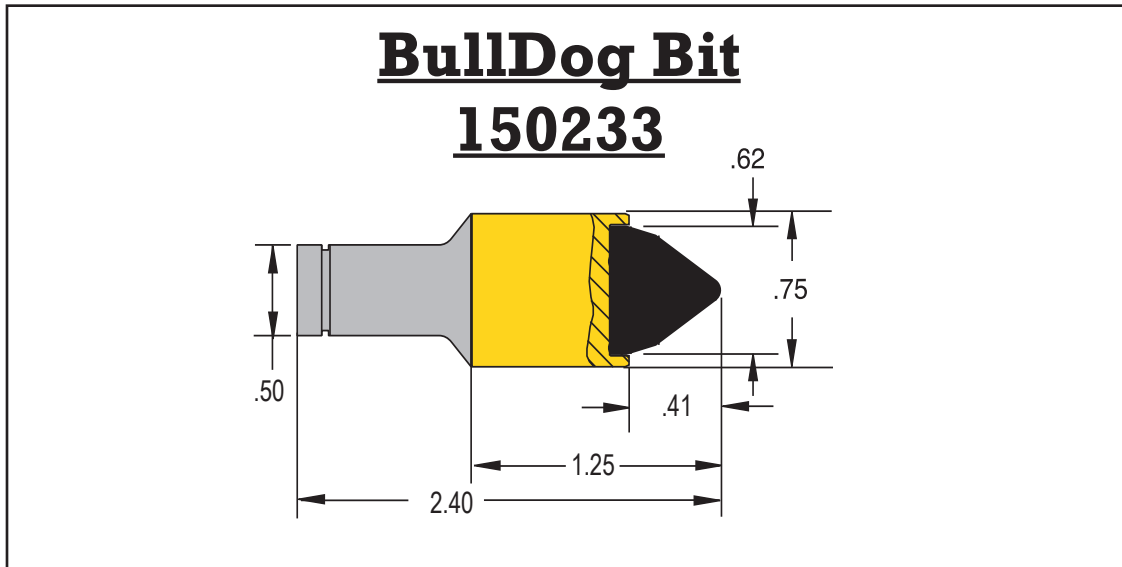


Cutter Bits and Blocks



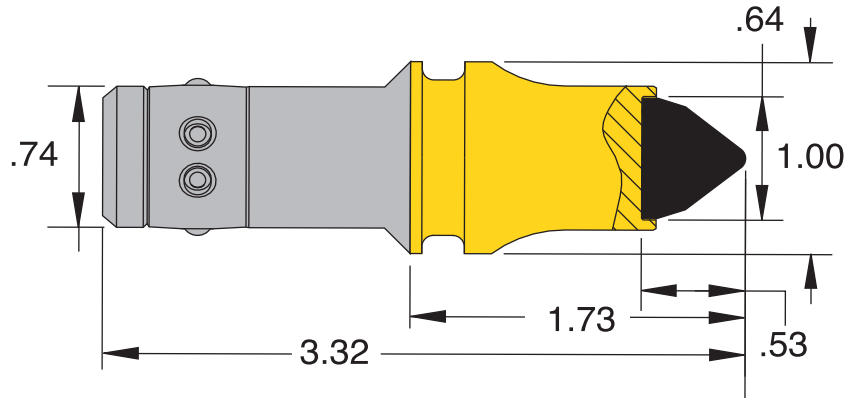
Hollow Stem Auger Cutterhead Bits



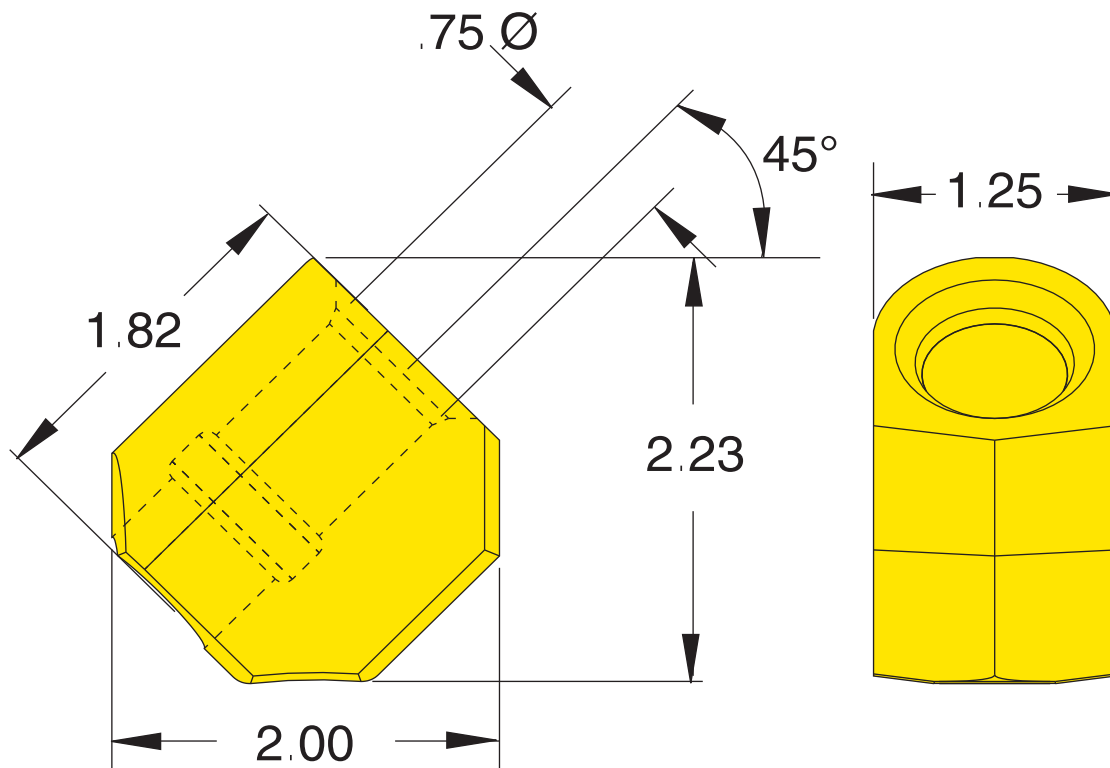
Hollow Stem Auger Cutterhead Bits

Bullet - C23

For Bullet Spade, Bullet Blade & Bullet Heads



Bullet Block - C20-I

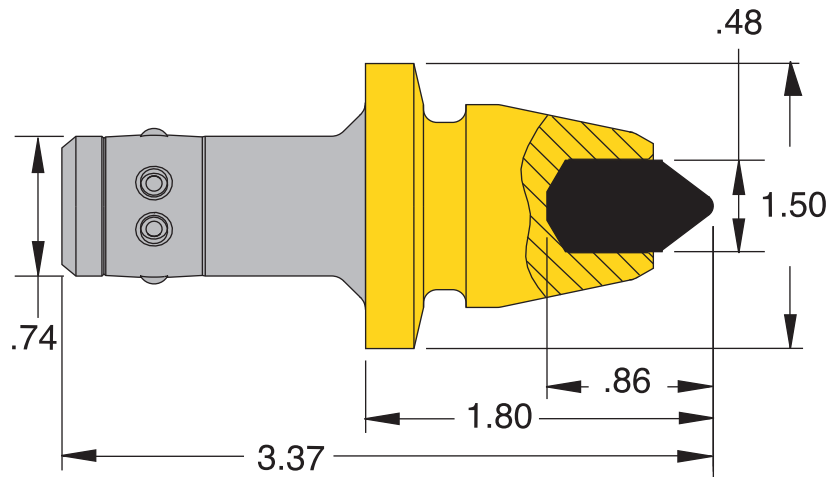


Hollow Stem Auger Cutterhead Blocks



New Xtreme Heavy Duty Bit

Bullet - C21FHD
For Bullet Spade, Bullet Blade & Bullet Heads



Direct Replacement for C23

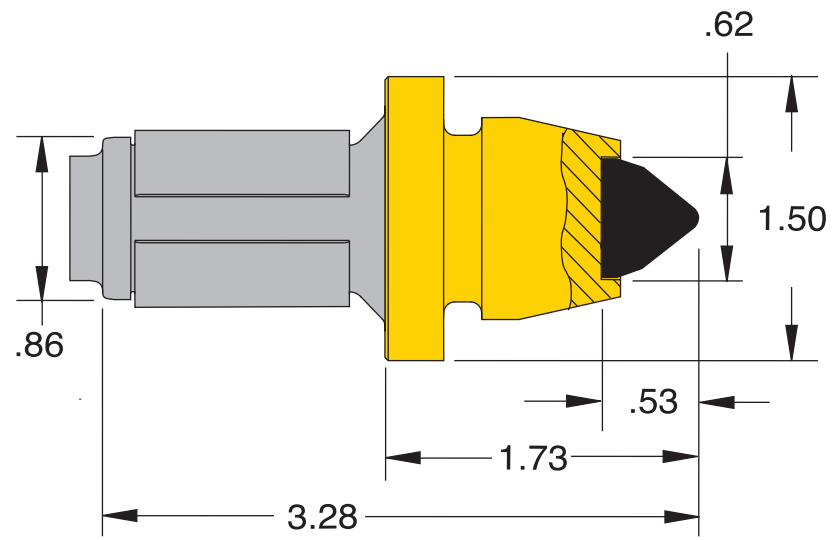
Xtreme Insert Carbide for Impact Drilling

Large Shoulder for Block Protection

Hollow Stem Auger Cutterhead Bits

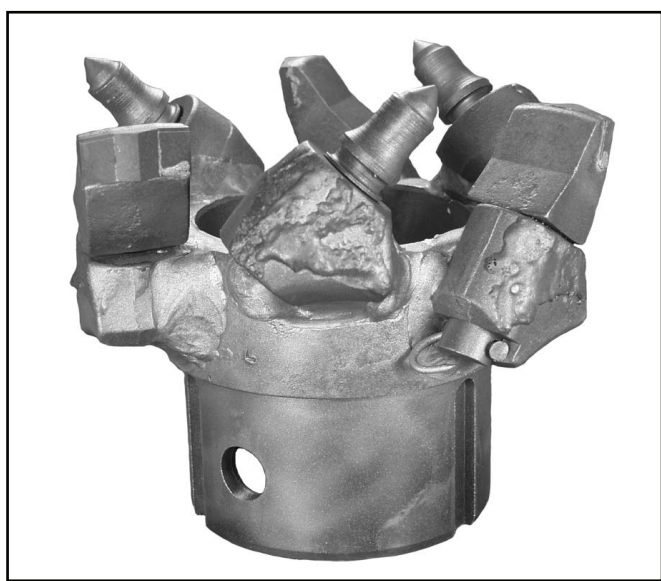
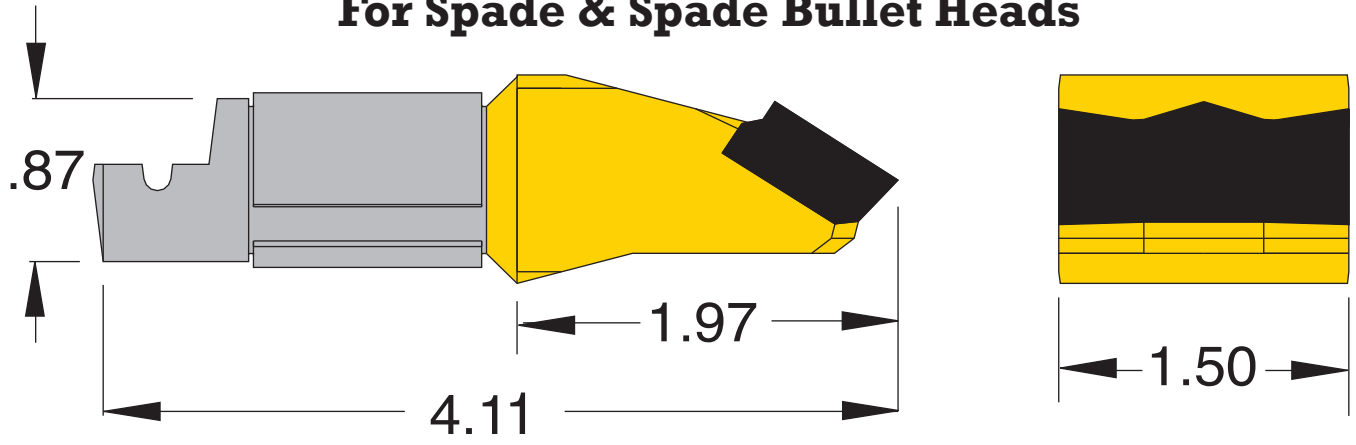
Bullet - SMO2 (C387BF)

For Bullet Spade, Bullet Blade & Bullet Heads



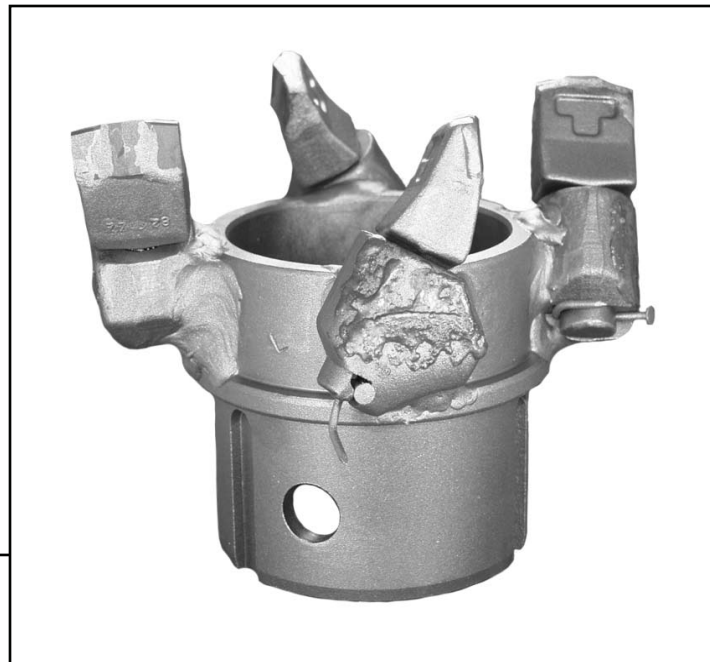
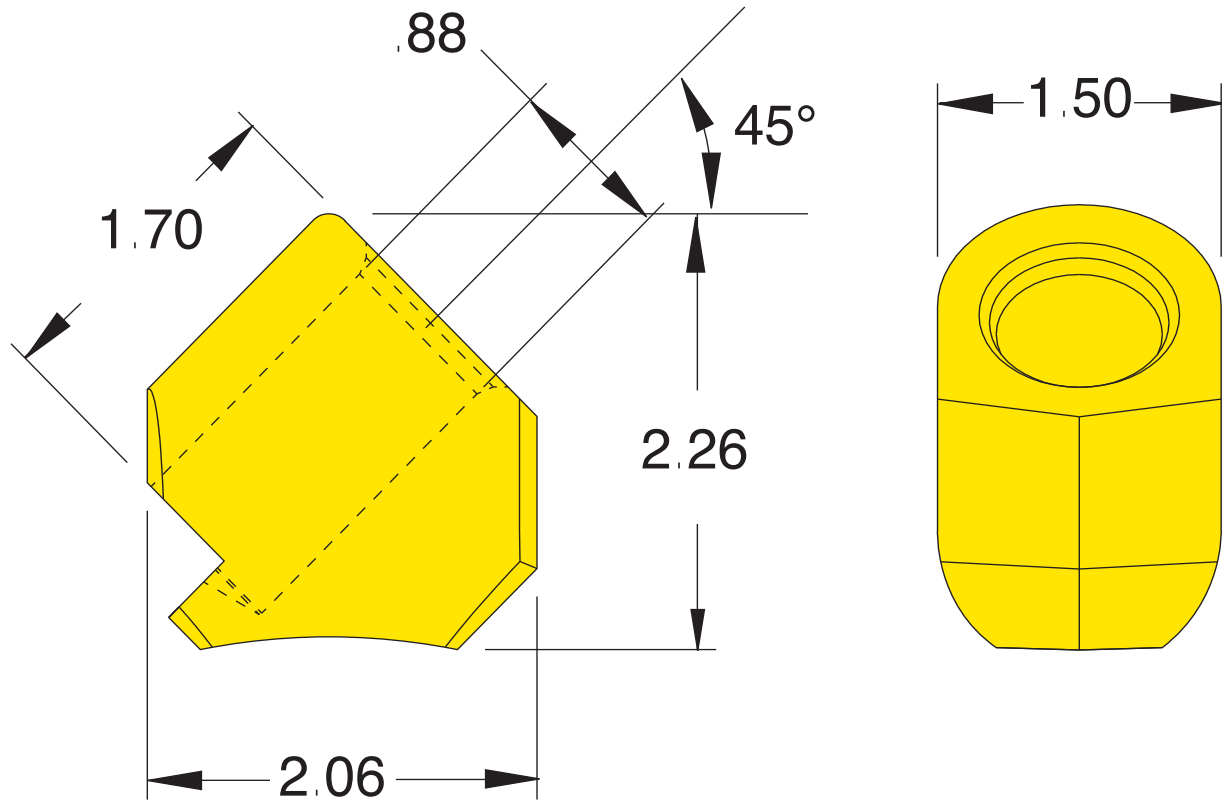
Spade - AR150-87LR-I

For Spade & Spade Bullet Heads

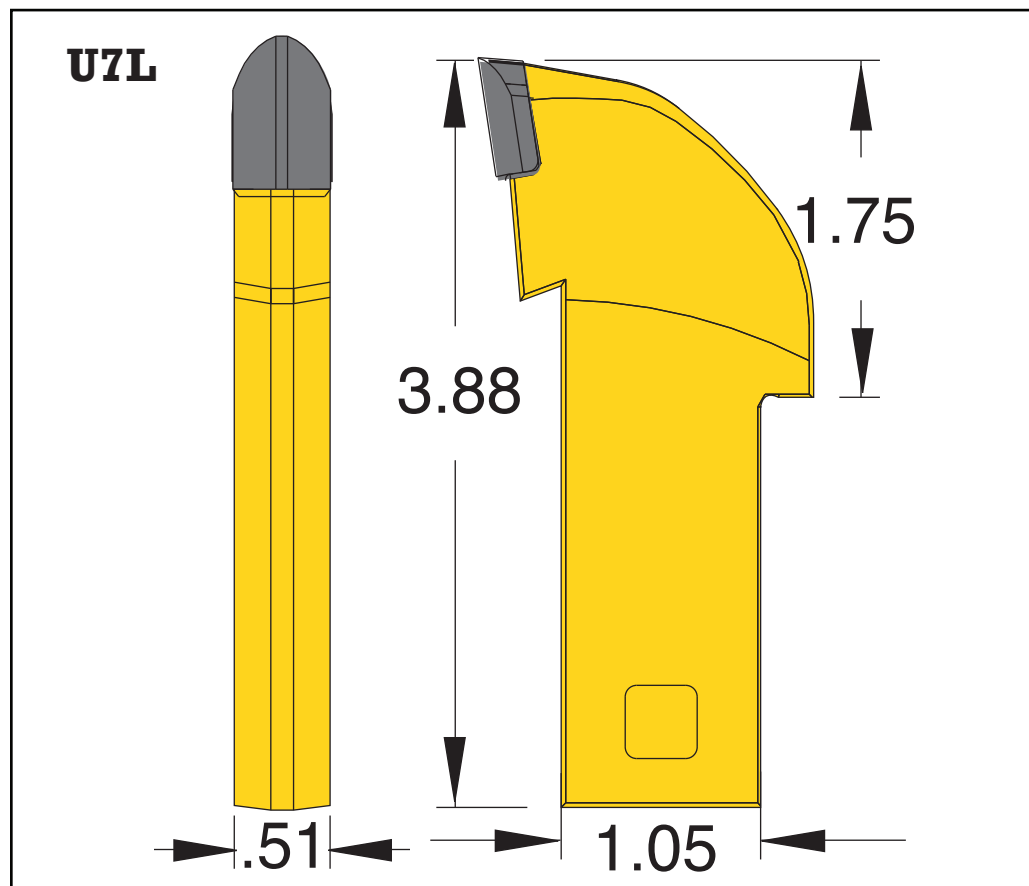
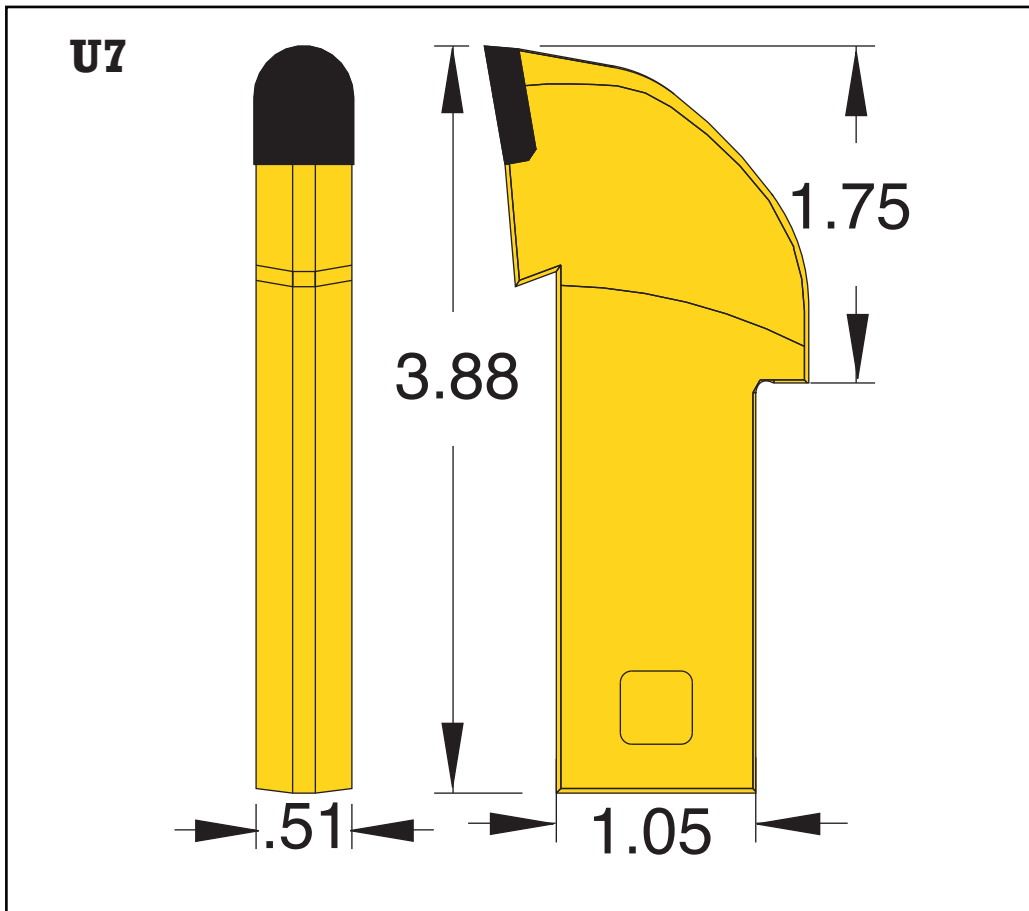


Hollow Stem Auger Cutterhead Blocks

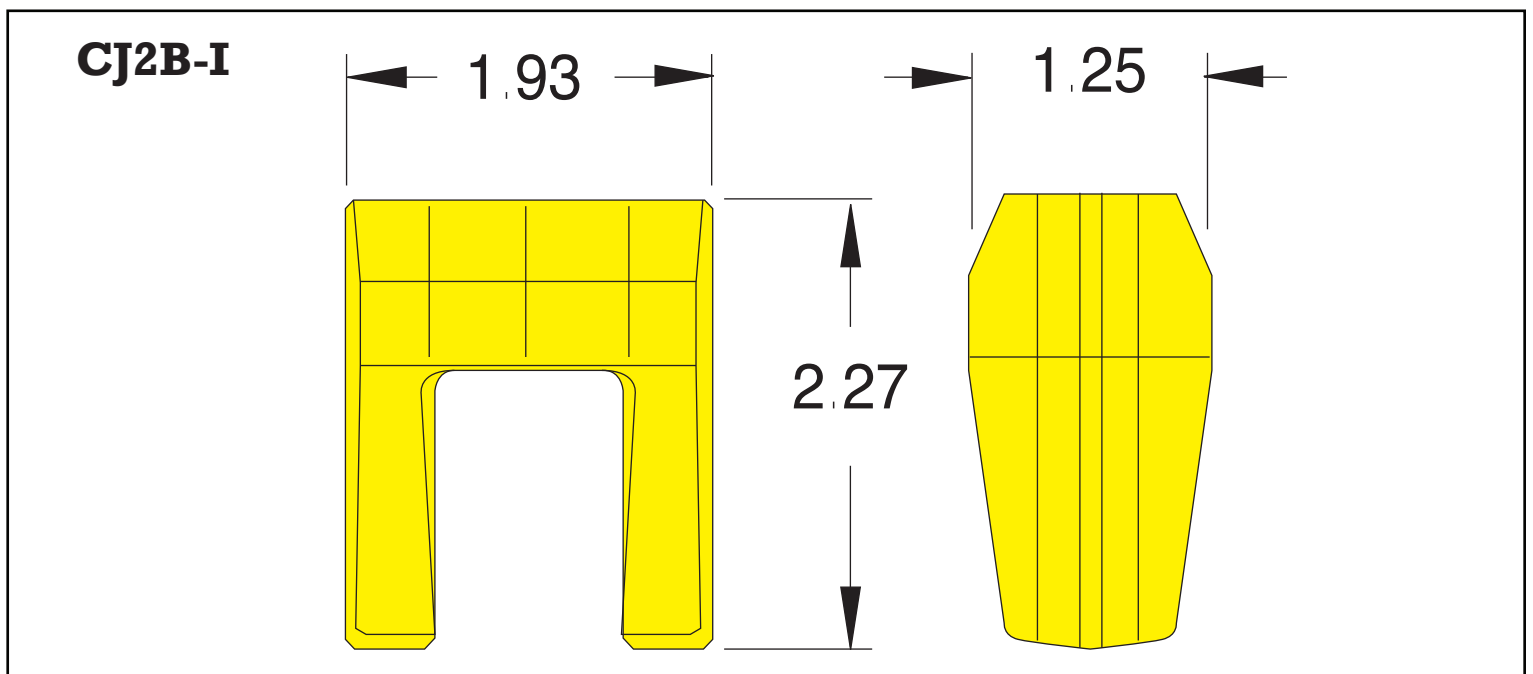
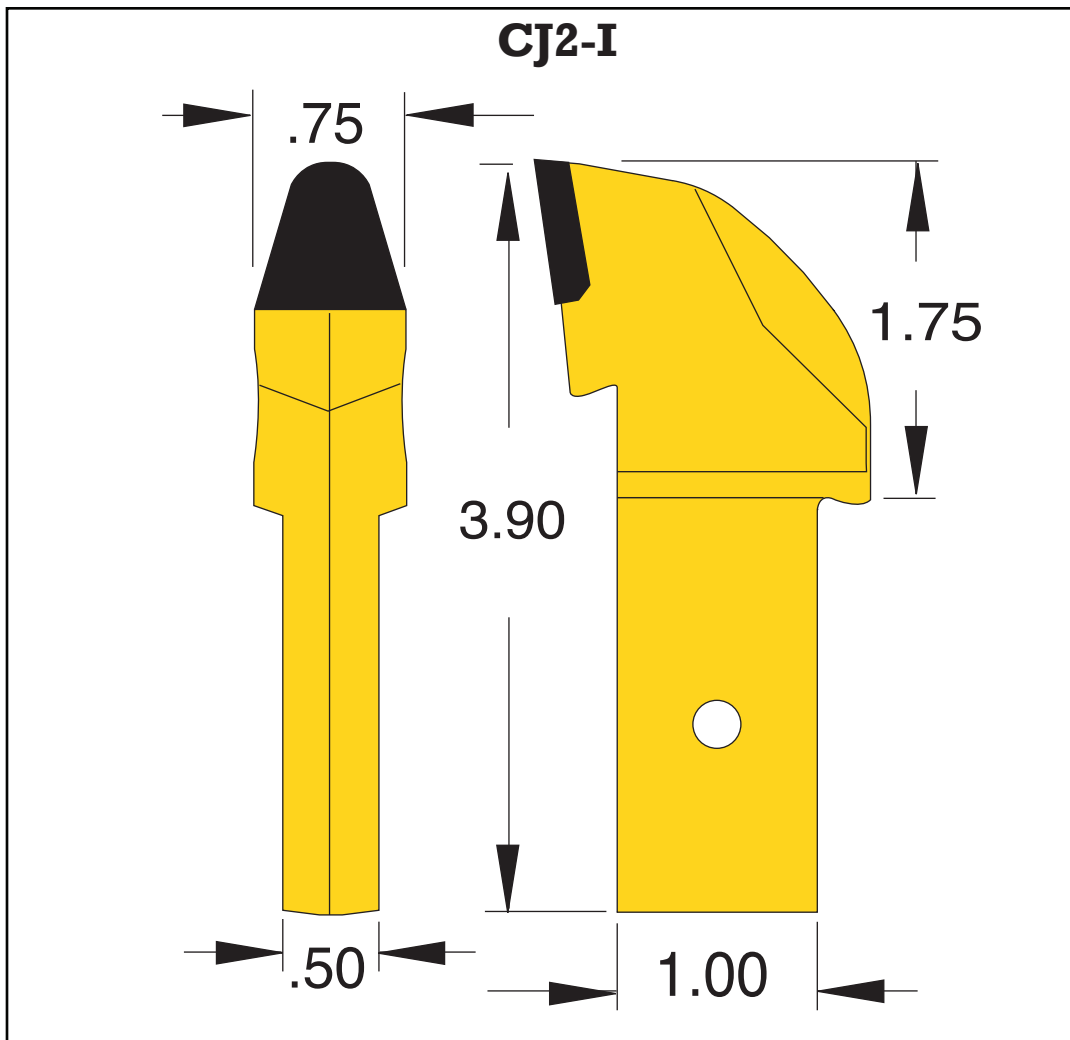
Spade Block - C87B-I



J Cutter Bits



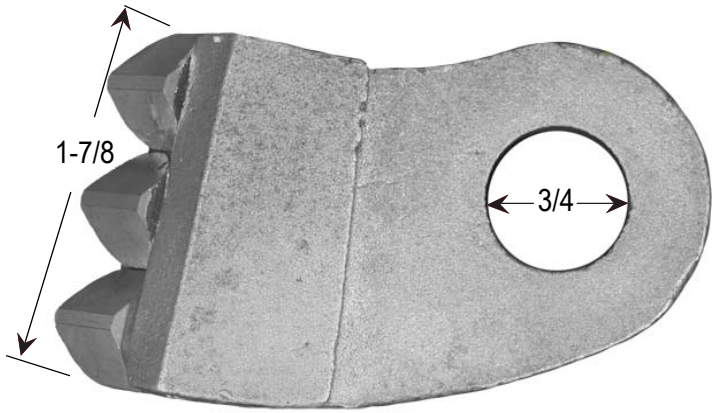
J Cutter Bits



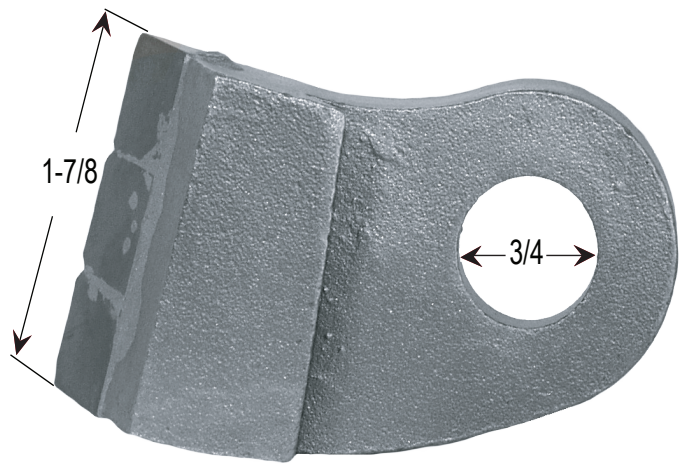
Hollow Stem Auger Cutterhead Bits



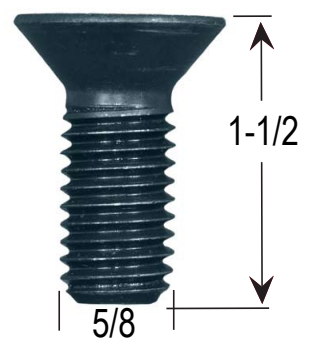
**Blade - 004303CB-I
with Claw Carbide**



Blade - 004303-I



Blade Bolt - 001293-I

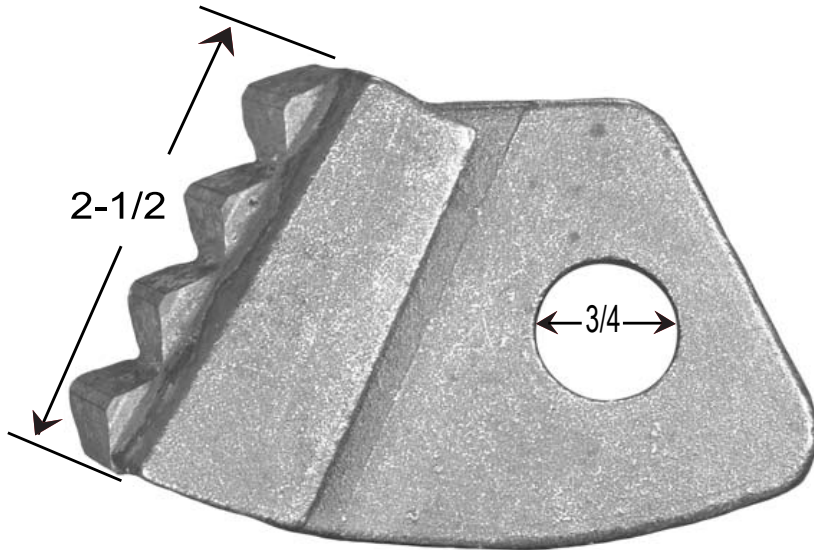


Hollow Stem Auger Cutterhead Bits

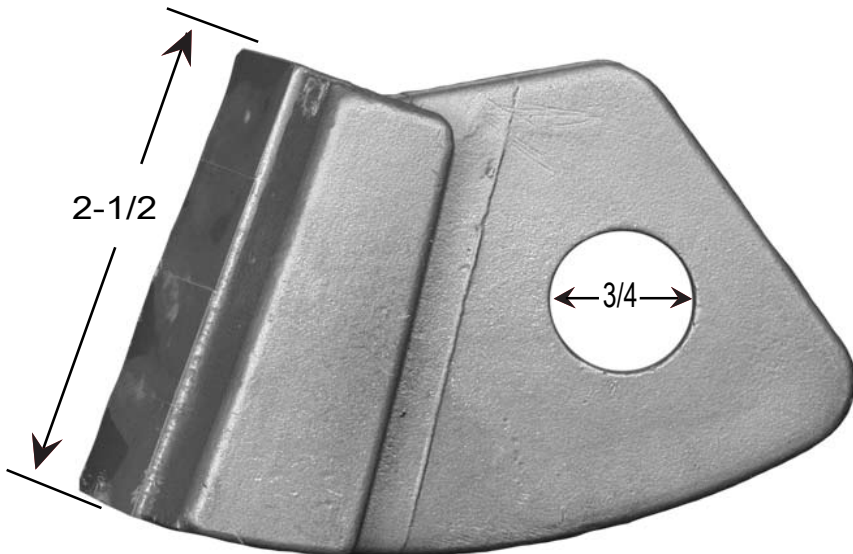
Blades for Old Style Mobile™ Threaded Cutterheads



**Blade - 001281CB-I
with Claw Carbide**

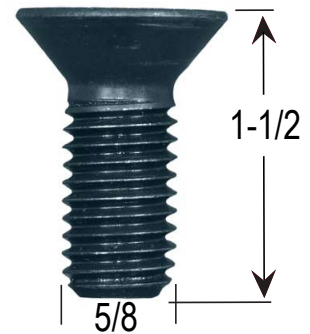


Blade - 001281-I



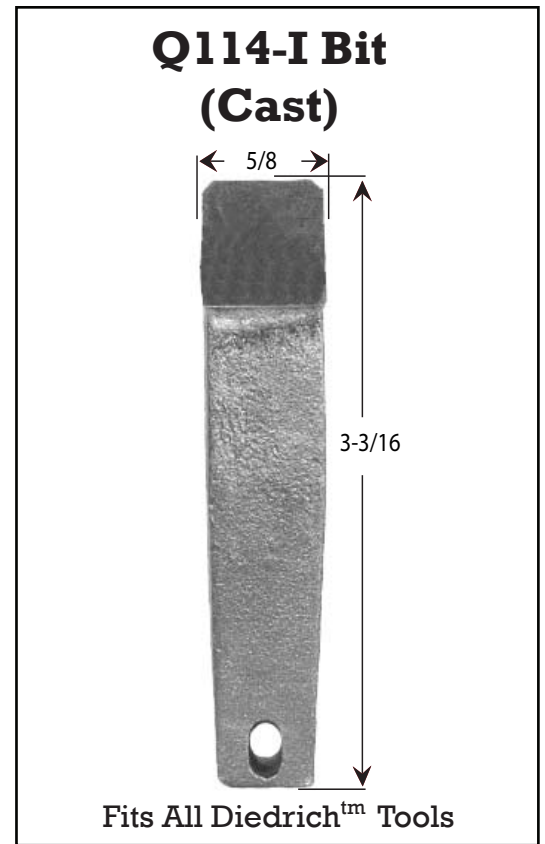
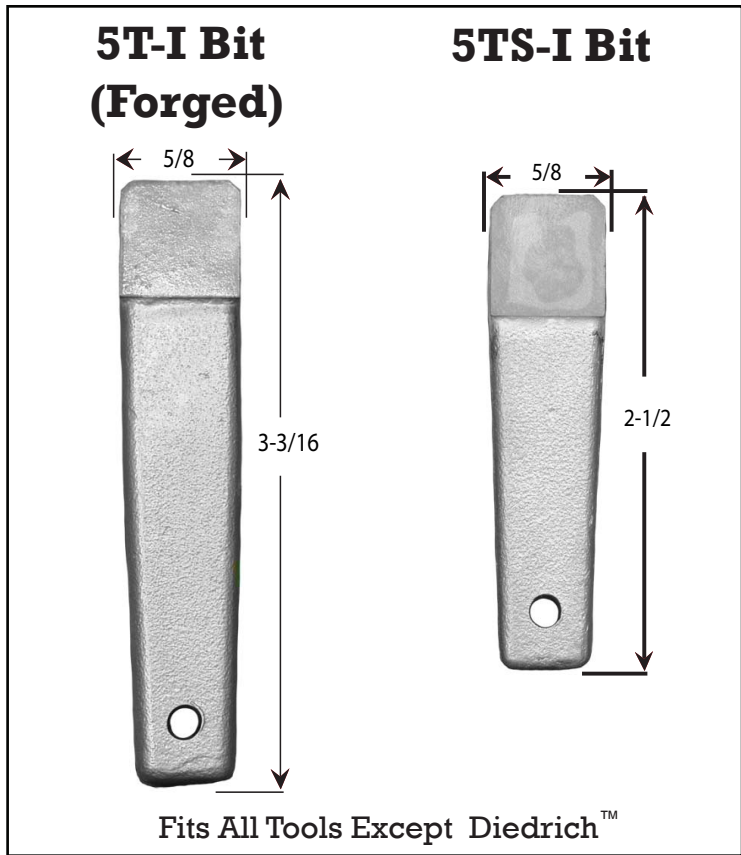
Old Style Mobile™
Threaded Cutterheads

Blade Bolt - 001293-I

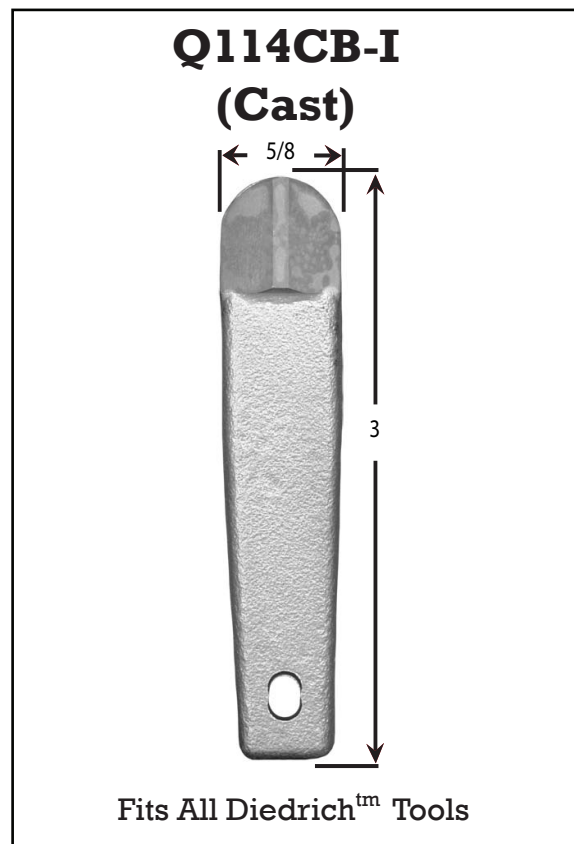
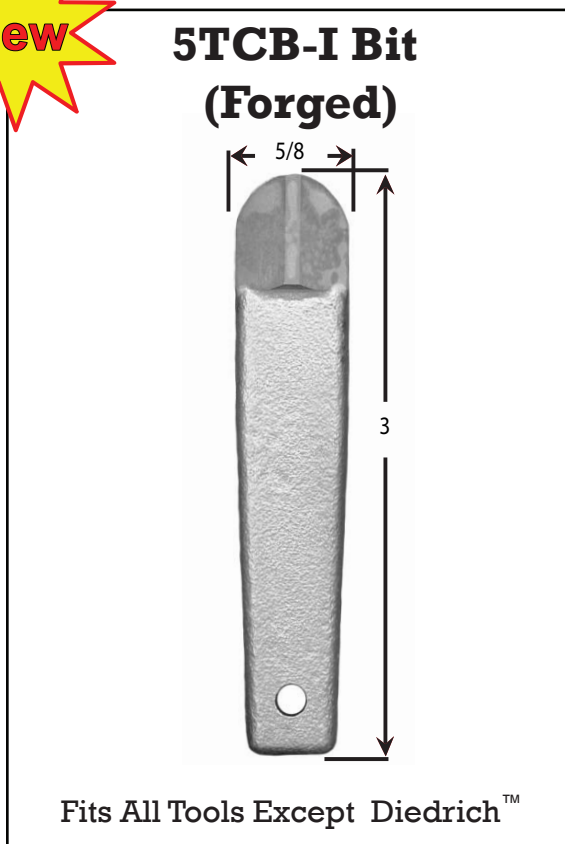


Hollow Stem & CF Augers Cutterhead Bits

5T Bits

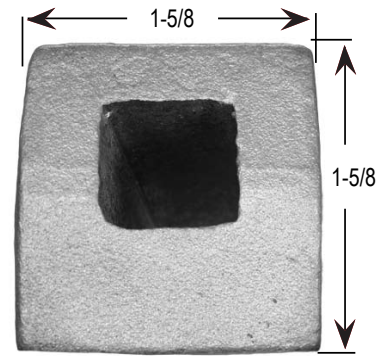
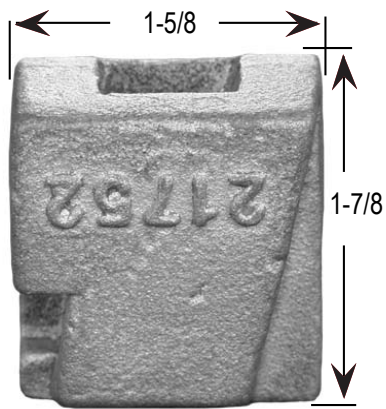


5T Claw Bit

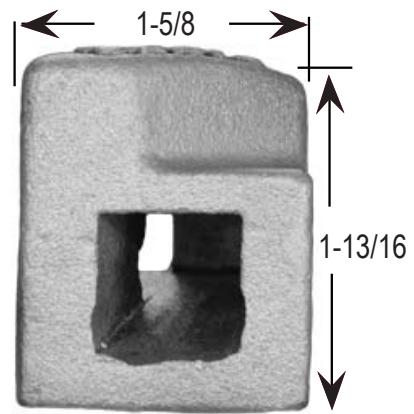
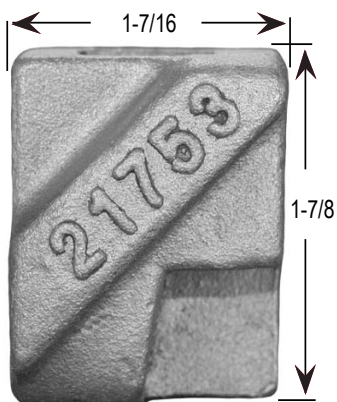


CME™ & Acker™ Type Pockets

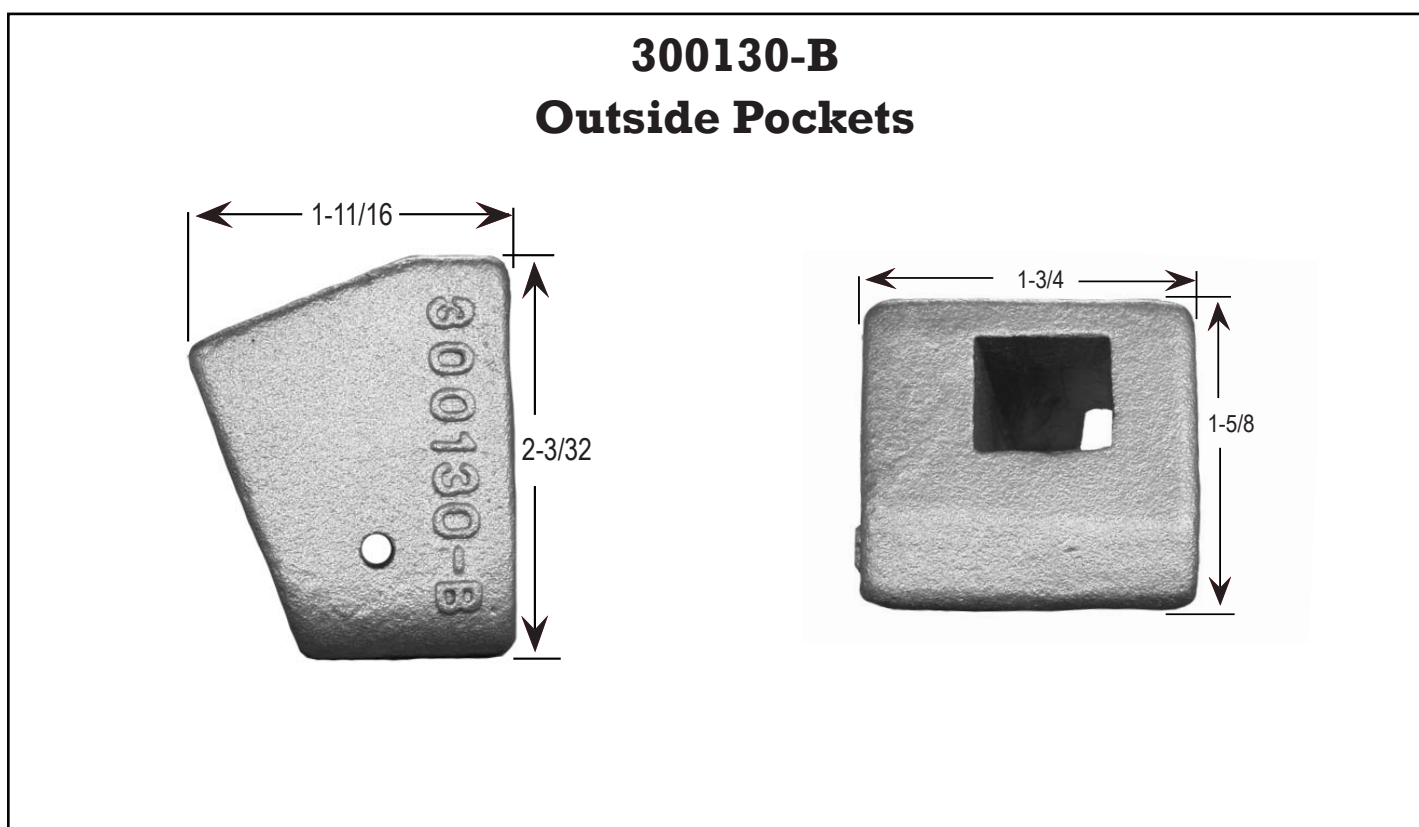
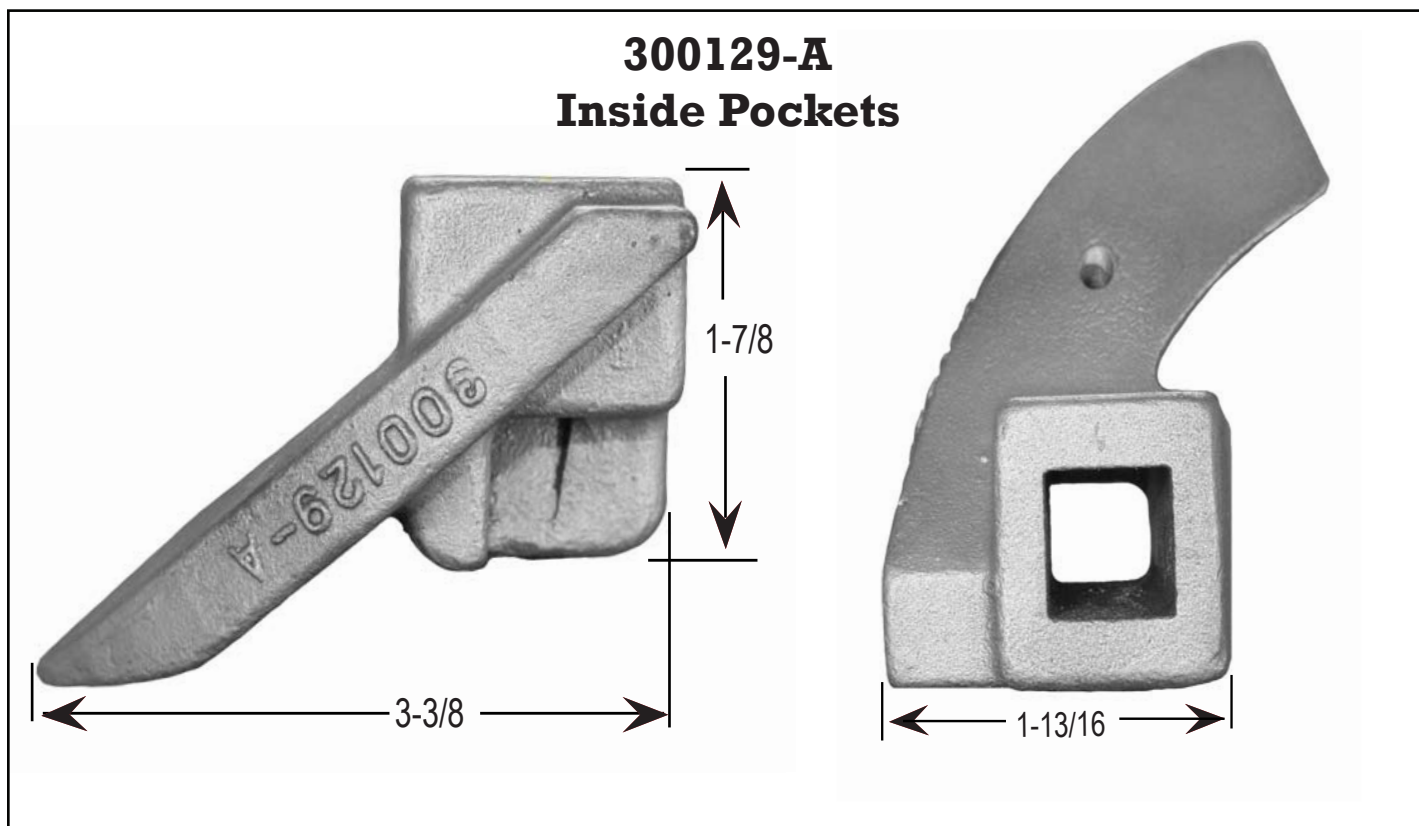
21752-I Outside Pockets/Angled



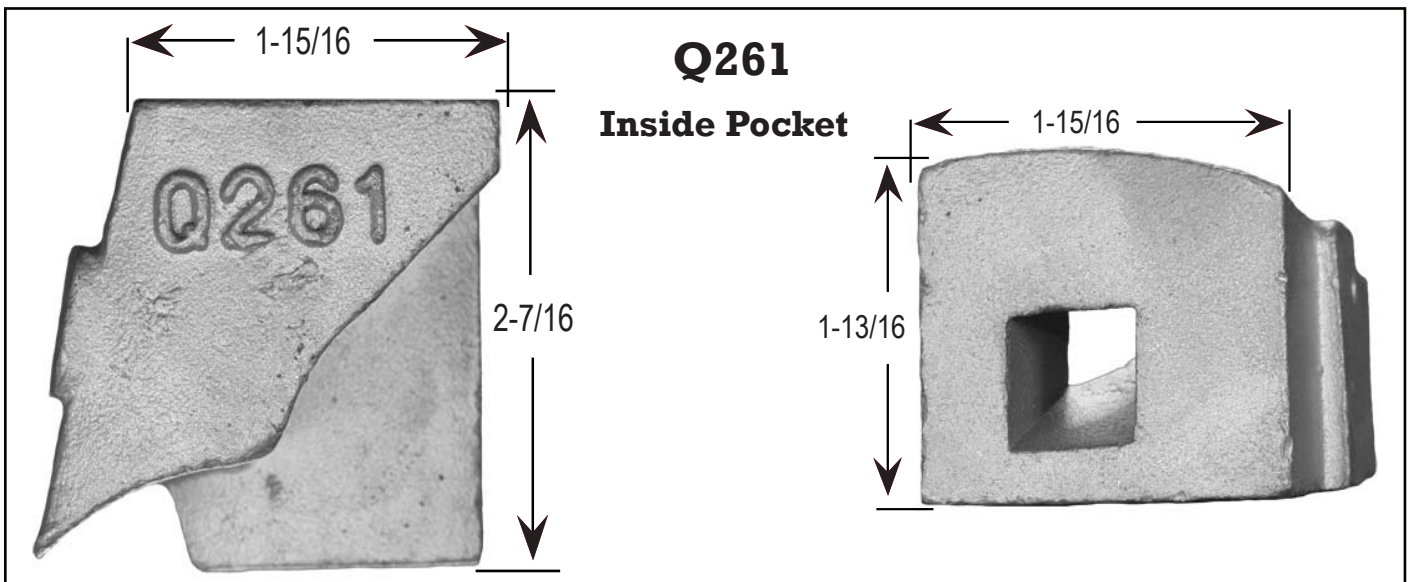
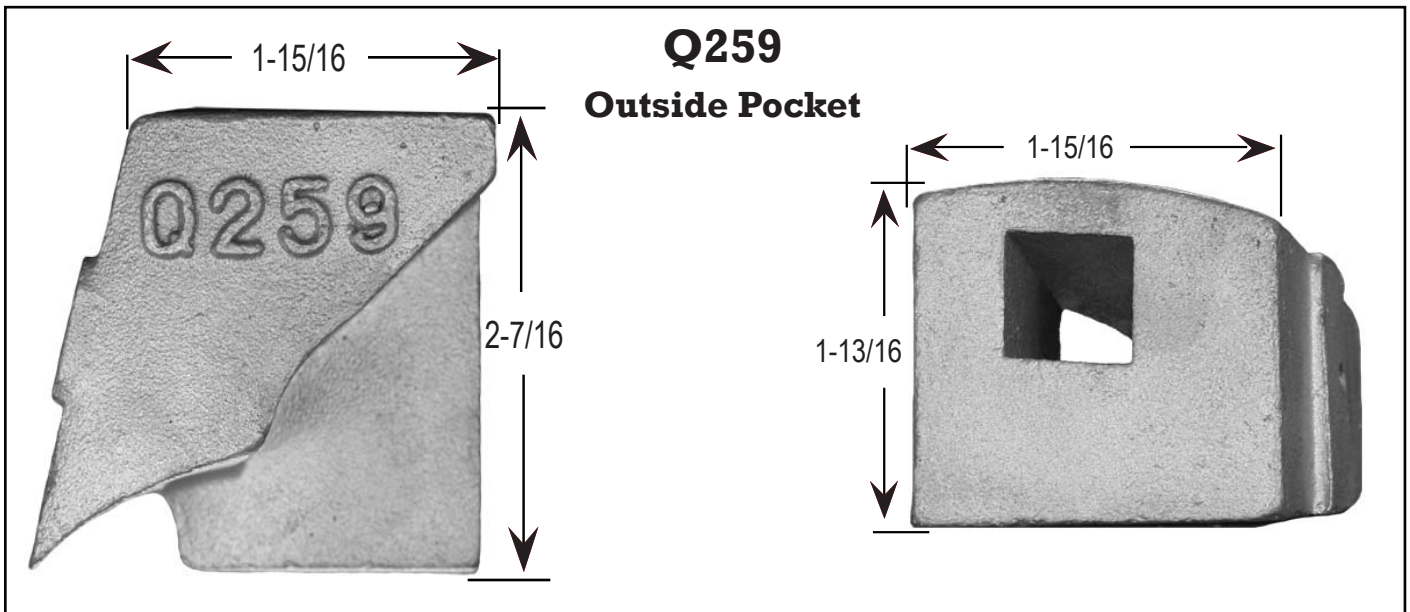
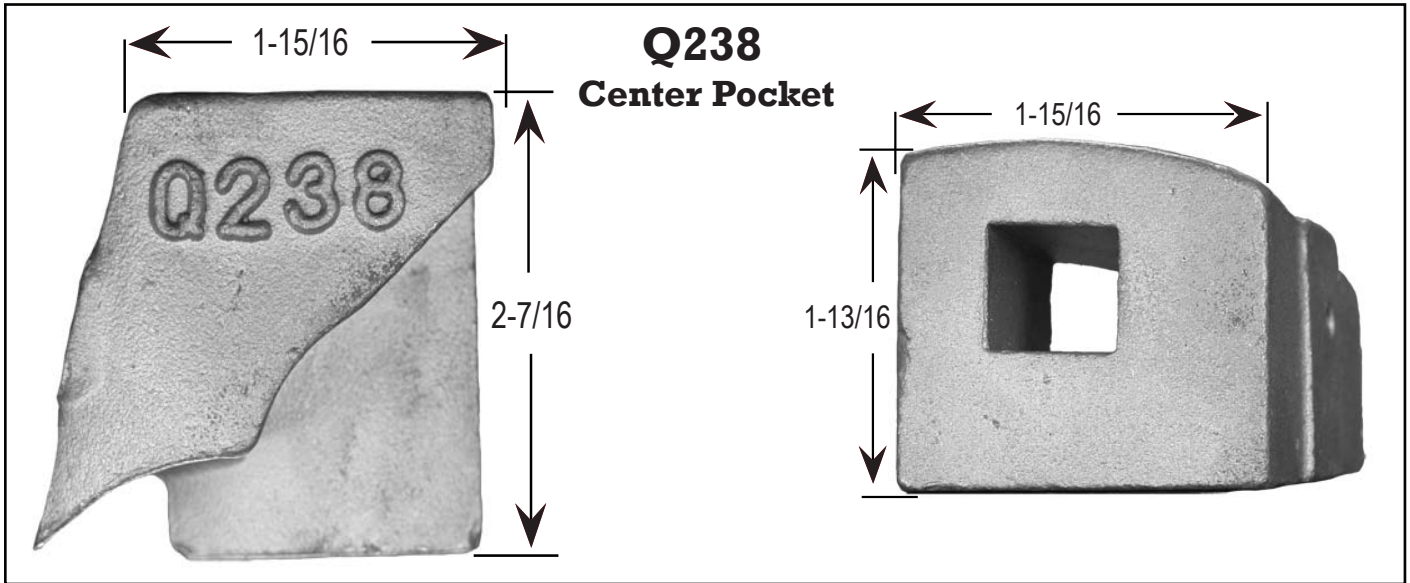
21753-I Inside Pockets/ Straight



Boart Longyear & Mills Machine Type Pockets



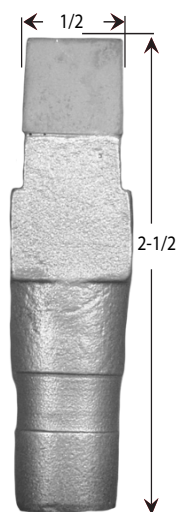
Diedrich™ Replacement Pockets



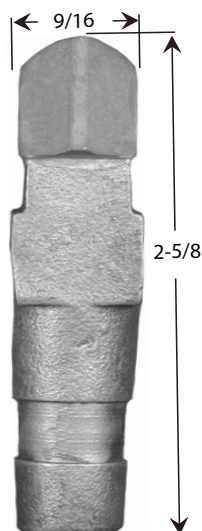
Continuous Flight Augers Cutterhead Bits

DP Bits

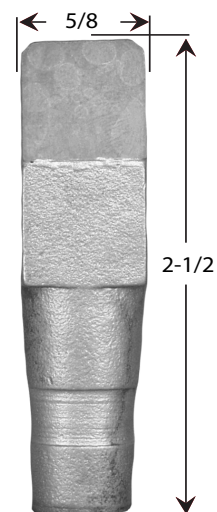
DP-Bit-I



DPC-Bit-I

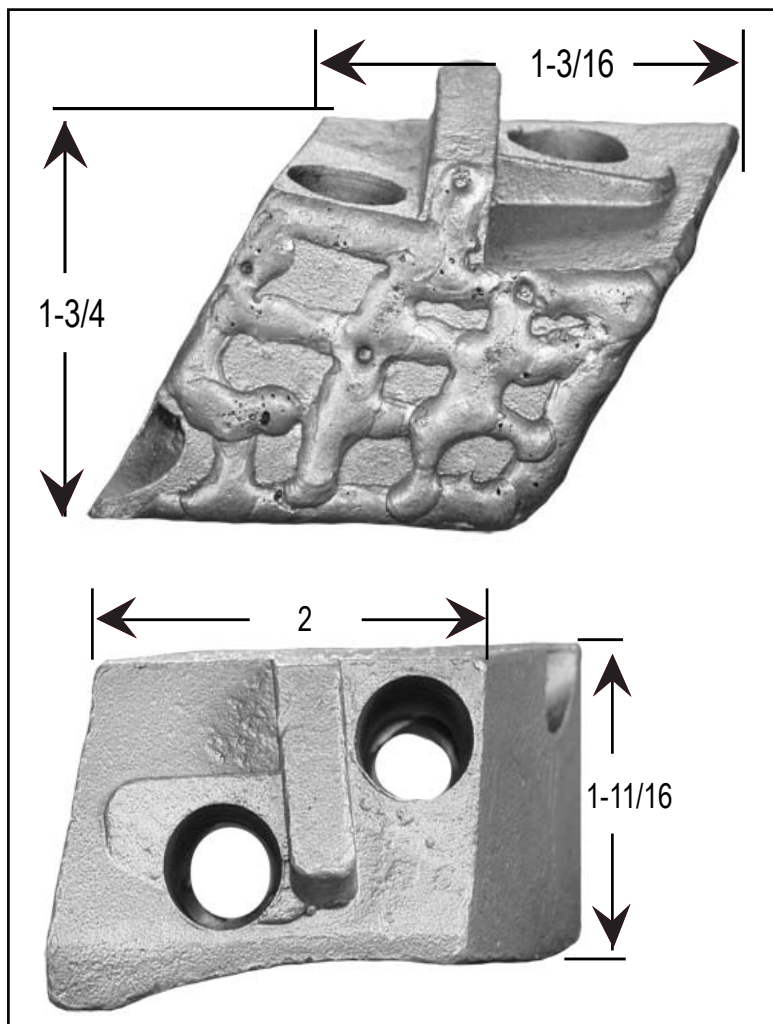


DPHD-Bit-I

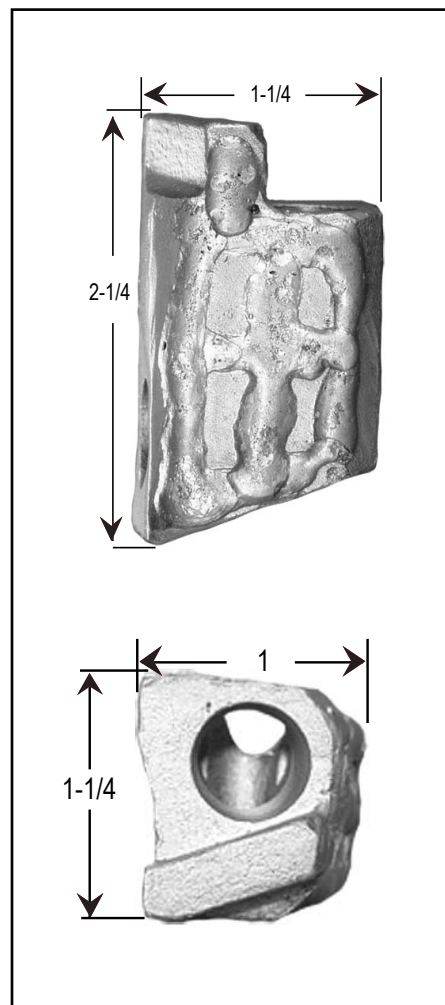


DP Bit Holders

DP1058M-I



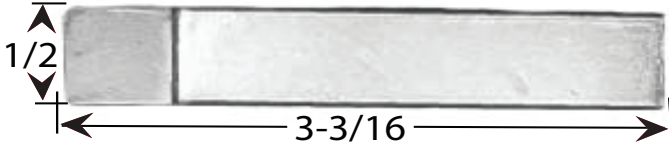
DP1000M-I



Continuous Flight Augers Cutterhead Bits

Multi-Purpose Cutter Head

006002-I Carbide Bit

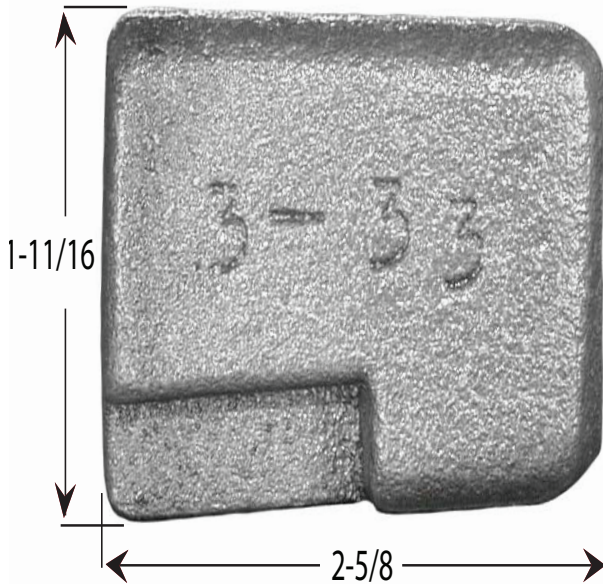


006000-I Hardfaced Bit

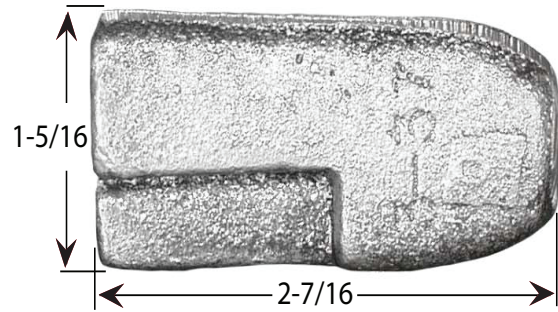


Multi-Purpose Cutter Head Wedges

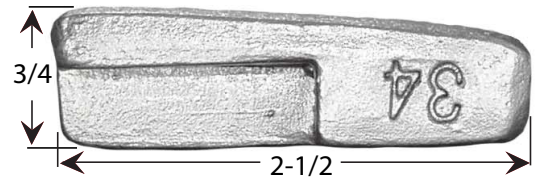
33-I



37-I



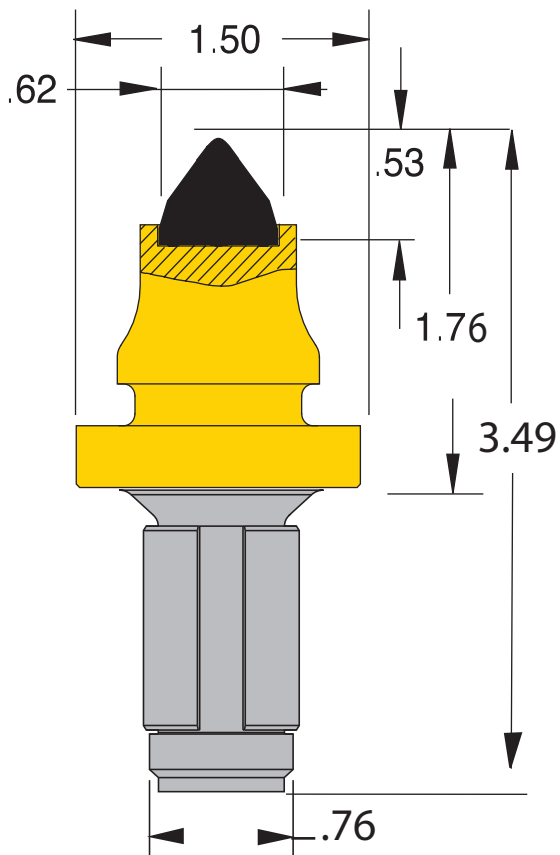
34-I



Part #	Description	Fits Head	Wt. lbs.
33-I	Double Wedge Wide	4-1/2"	.32
37-I	Double Wedge Narrow	5" - 12"	.72
34-I	Single Wedge	5", 8", 12"	.23

Continuous Flight Bullet Cutterhead Bits

RS20



Bullet Block - 765BLK-I

